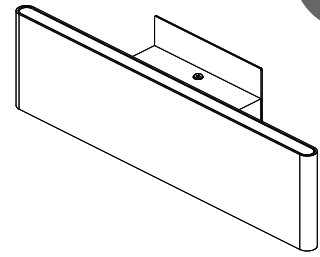




### Assembly and Installation Instructions for Model's

# 20001/2WV



## CAUTION - RISK OF FIRE

Installation of this fixture should be done by a licensed electrician or by a person familiar with local electrical codes and the construction and operation of this fixture.

**Warning** please make sure the electrical breaker is shut off before commencing with this installation

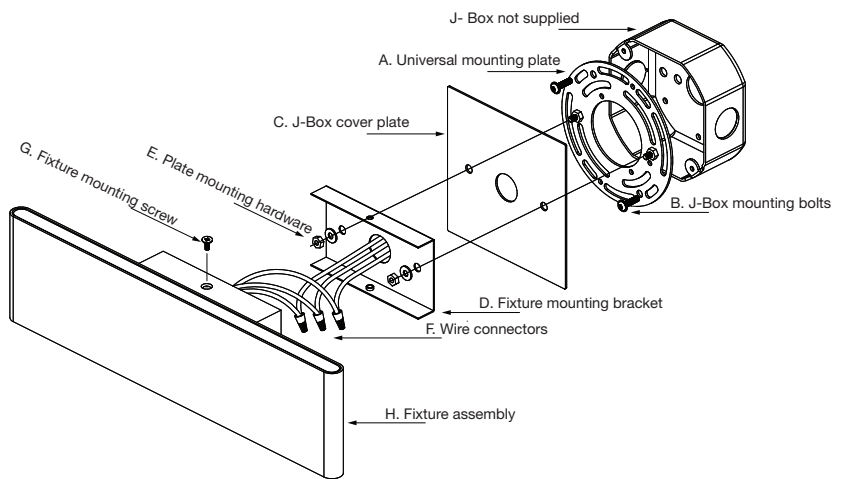
Read and familiarize yourself with these instructions before commencing

This fixture is certified for wall mounting only and is suitable for Damp locations and dimmable with an ELV Dimmer

The fixture uses a 12v D/C LED panel which is supplied with matching driver.

### Package Contents

Part	Description	Qty
A	Universal mounting plate	1
B	J-Box mounting bolts	2
C	J-Box cover plate	1
D	Fixture mounting bracket	1
E	Mounting bracket nuts and washers	2
F	Wire connectors	3
G	Fixture mounting screws	2
H	Fixture assembly	1



### Installing the fixture *please ensure the electrical breaker is switched off before commencing*

<b>1</b>	Attach the supplied Universal mounting plate (A) with the two supplied mounting bolts (B) to a Junction-Box, not supplied, making sure that the two mounting lugs are centered on the Junction Box.	
<b>2</b>	Place the Junction Box cover plate (C) over the two mounting bolts attached to the Universal mounting plate (A), then attach the Fixture mounting bracket (D) and secure with Mounting plate nuts and washers (E).	
<b>3</b>	Connect the Supply wires to the Fixture wires using the supplied Electrical wire connectors (F). White supply wire to the White fixture wire, Black supply wire to Black fixture wire and the ground Bare Copper or Green wire to the Green fixture wire. Once the Electrical wire connectors are securely fastened it is recommended to tape these connectors with electrical tape.	
<b>5</b>	Attach fixture assembly (H) to Mounting bracket (D) secure with the supplied screws (G)	
<b>6</b>	Switch on the electrical breaker switch and your new fixture is ready for many years of trouble free use	

